



DESIGNED FOR INDOOR AND OUTDOOR USE

- Solid-state circuitry
- Available in 24VAC/24VDC, 120VAC and 230/240VAC
- Built-in gain control
- Produces 64dB to 88dB @ 10' (74dB to 98dB @ 1m)
- UL and cUL Listed, CSA Certified, CSFM Approved (California State Fire Marshal)
- Flush or surface mount
- NEMA 3R, IP55 enclosure

SelecTone® Audible Signaling Device

Model 50GC

The Federal Signal Model 50GC SelecTone® speaker/amplifier is capable of reproducing crisp, clear tones and highly intelligible voice messages. The UL (Underwriters Laboratories) Listed and CSA (Canadian Standards Association) Certified, flame retardant, thermoplastic housing provides excellent durability.

When used with Federal Signal Model WB (weatherproof back box), the Model 50GC is NEMA 3R rated for outdoor applications.

A short, folded re-entrant horn is interposed between the diaphragm and surrounding air space for greater efficiency and frequency response. Units are available in beige.

The Model 50GC operates on 24VAC/DC, 120VAC or 240VAC and can be used as a stand-alone audible device by plugging in a Federal Signal tone module. It can also be used in a system with SelecTone Command Units, including 300MB, 300MC, 300VSC-1, 300VSC-1044SB, 300SCW-1 or 300SSC.

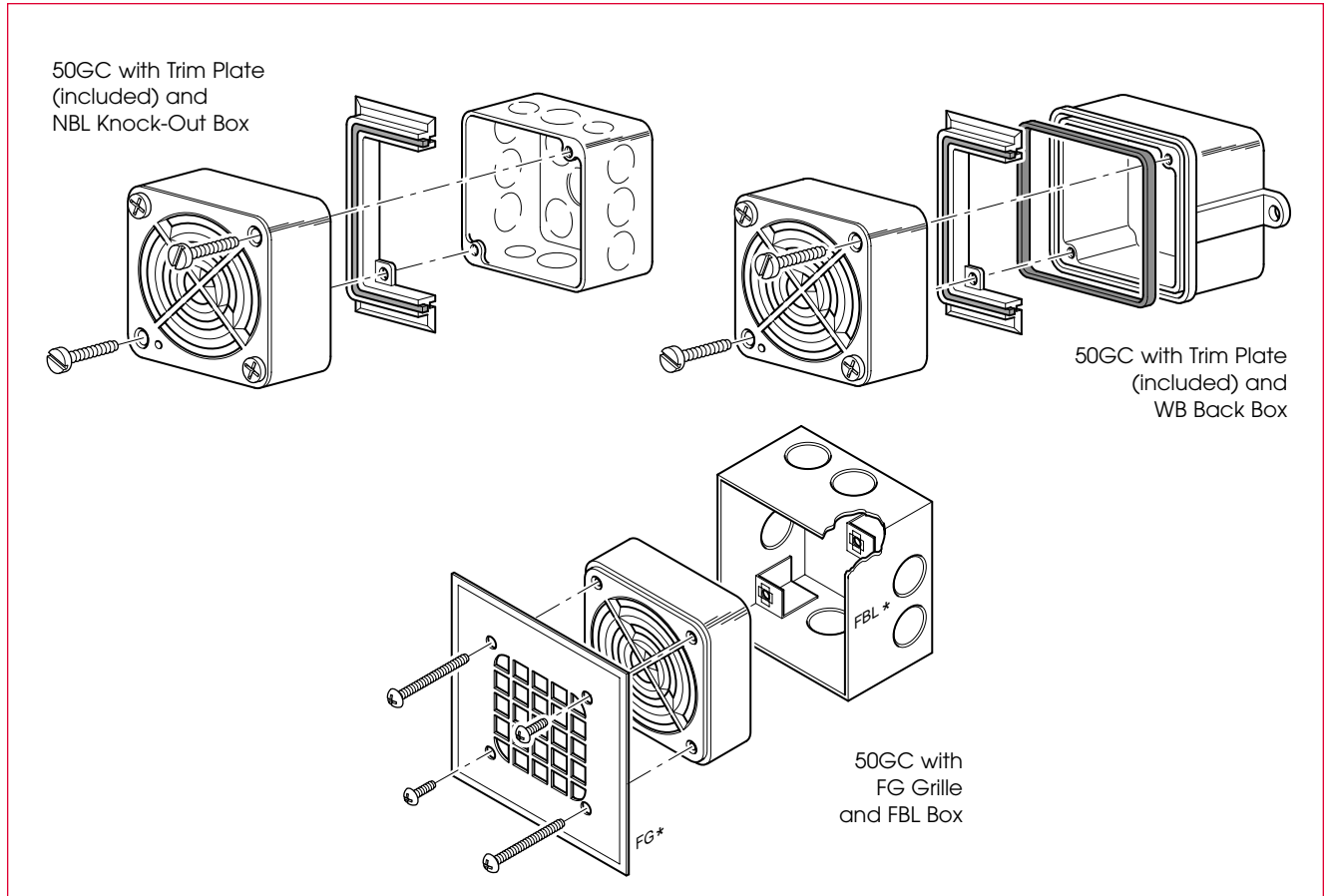
Reliable, solid state circuitry ensures a long continuous operating life. Either flush or surface mount installation is possible. The internal gain control allows tone output adjustment from 64dB to a maximum of 88dB @ 10' (74dB to 98dB @ 1m).

The compact size and attractive appearance of the Model 50GC make it ideal for use in offices, hallways, plant areas, factories or anywhere ambient noise levels are not exceedingly high, and even sound dispersal is desired. Emergency signaling or paging are common applications.

Model	Voltage	Operating Current	Sys. Standby Current	Decibels @ 10'	Decibels @ 1m
50GC	24VDC	0.07 amps	0.025 amps	88	98
50GC	24VAC 50/60Hz	0.22 amps	0.095 amps	88	98
50GC	120VAC 50/60Hz	0.04 amps	0.027 amps	88	98
50GC	230/240VAC 50/60Hz	0.02 amps	0.013 amps	88	98



SELECTONE® AUDIBLE SIGNALING DEVICE (50GC)



SPECIFICATIONS

Operating Temperature:	-31°F to 161°F	-35°C to 72°C
Net Weight:	1.7 lbs.	0.8 kg
Shipping Weight:	2.2 lbs.	1.0 kg
Height:	4.50"	114 mm
Width:	4.50"	114 mm
Depth:	3.44"	87 mm

HOW TO ORDER

- Specify model and voltage
- Specify Tone Module for stand alone operation
 - Universal Tone Module (UTM)
 - Custom Tone Module (TM33)
- Specify Connector Kit for use in systems
 - Connector Kit (300CK)
 - Supervised Connector Kit (300CKS)
 - 25Vrms Connector Kit (AM25CK)
 - 70Vrms Connector Kit (AM70CK)
 - 100Vrms Connector Kit (AM100CK)
- Specify options:
 - Knock-out Back Box (NBL)
 - Weatherproof Back Box (WB)
 - Grille (FG)
 - Flush Mount Back Box (FBL)