

Vibratone® Horns

Models 350 and 450



DESIGNED FOR ROUTINE SIGNALING

- Effective range of 200 feet (61m)
- Reproduces coded or sustained tones
- Model 350 – 12, 24, 120 and 240VAC and produces 100dB @ 10' (110dB @ 1m)
- Model 450 – 12, 24, 125 and 250VDC and produces 99dB @ 10' (109dB @ 1m)
- UL Listed, cUL Listed, CSA Certified, FM Approved
- NEMA 4 with panel mount gasket; NEMA 4X, IP55 with weatherproof backbox (WB)

The Models 350 (AC current) and 450 (DC current) Vibratone® horns produce sound by the electro-mechanical vibration of a diaphragm. The horn mechanism with diaphragm is attached to the grille. Indoor or outdoor use depends on the back box used. Both models may be fitted with a single projector (Model PR) or a double projector (Model PR2).

Model 350 is available in 12, 24, 120 or 240VAC for 50/60Hz. Its sound output level is 100dB nominal at ten feet (110dB @ 1 meter); the 12VAC model is rated for 94dB at ten feet (104dB @ 1 meter).

Model 450 is available in 12, 24, 125 and 250VDC – the 250VDC model is excellent for coding and alarm usage. The 24VDC, 125VDC and 250VDC versions are rated at 99dB at ten feet (109dB @ 1m); the 12VDC version is rated at 93dB at 10' (103dB @ 1m).

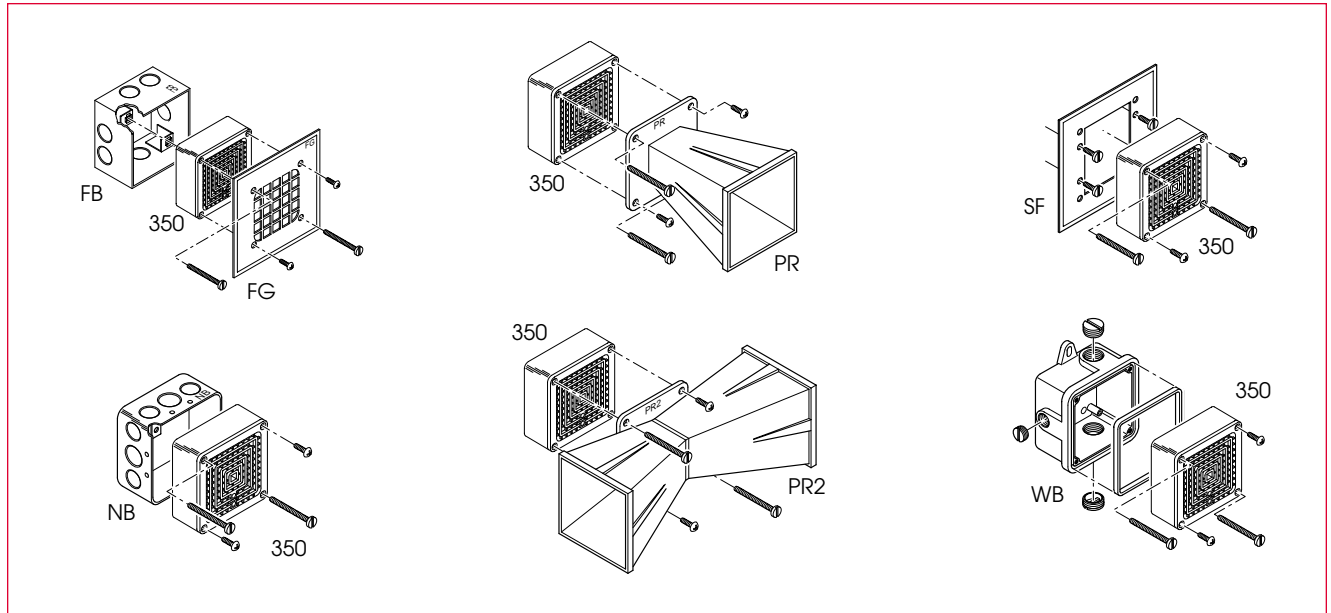
These Federal Signal horns accommodate surface, flush or semi-flush mounting on walls, panels, in cabinets, or on 4-inch square outlet boxes (not included with signal). **For NEMA Type 4 applications**, an optional gasket kit is available for surface or flush panel mounting. The 350 and 450 models are made of die-cast zinc with gray enamel finish. Both outer housings measure 4" x 4" x 2 1/2" and resist vandalism without reducing sound output. Model 350 has a stainless steel diaphragm; Model 450 has an aluminum alloy diaphragm and heavy-duty contacts. Both are UL and cUL Listed (Underwriters Laboratories), CSA (Canadian Standards Association) Certified and FM Approved. When used with the weatherproof back box (Model WB), these horns also meet NEMA 4X requirements.

Capable of reproducing coded blasts or sustained tones, Federal Signal's Vibratone horns are excellent for general alarm, start/dismissal, coded paging and process control signaling in areas where their sound output exceeds ambient noise levels. Compact size and a variety of installation options make them ideal for institutional use.

Model	Voltage	Operating Current	Decibels @ 10'	
			10'	1m
350	12VAC 50/60Hz	0.90 amps	94	104
350	24VAC 50/60Hz	0.90 amps	100	110
350	120VAC 50/60Hz	0.18 amps	100	110
350	240VAC 50/60Hz	0.09 amps	100	110
450	12VDC	0.13 amps	93	103
450	12VDC	0.50 amps	99	109
450	24VDC	0.25 amps	99	109
450	125VDC	0.05 amps	99	109
450	250VDC	0.03 amps	99	109



VIBRATONE® HORNS (350/450)



OPTIONS

- FB** Wall box for flush mounting the Vibratone® horn in stud, 4" block, or other shallow wall construction; 4³/₈" square box; 2⁷/₈" deep; shipping weight 2 lbs. (0.91 kg)
- FBL** Same as FB, but 3⁵/₈" deep for 6" x 8" concrete block, cinder block or other deep wall construction; shipping wt. 3 lbs. (1.36 kg)
- FG** Flush grille which attaches to the basic unit and serves as the cover of the plastered-in FB flush box; 6" H x 6" W x 1¹/₈" D; shipping wt. 1 lb. (0.45 kg)
- K8435666A** Optional Panel Mounting Gasket Kit includes a gasket and hardware for surface or flush mounting the horn for NEMA Type 4 applications.
- NB** 4" square box with 1¹/₂" & 3¹/₄" knockouts for interior mountings; 1¹/₂" deep; shipping weight 1 lb. (0.45 kg)
- PR** Projector which concentrates sound into a basic area when attached to the basic model 350/450 units; 4" H x 4" W x 6" D; shipping weight 1 lb. (0.45 kg)
- PR2** Double projector directs sounds to both sides when attached to the basic model 350/450 units; ideal for use in hallways; 4" H x 11¹/₂" W x 4" D; shipping weight 2 lbs. (0.91 kg)
- SF** Stamped surface plate used for installations on plastered-in 4" outlet switch boxes for semi-flush mountings; 6"H x 6" W x 1¹/₂" D; shipping weight 1 lb. (0.45 kg)
- WB** Cast aluminum neoprene-gasketed weatherproof housing for outside use, complete with mounting lugs; tapped for 1¹/₂" conduit; 4³/₈" square box; 2" deep mounting lugs on 4¹/₂" centers; shipping weight 1 lb. (0.45 kg)

HOW TO ORDER

- Specify model and voltage
- Specify options from list

REPLACEMENT PARTS

<i>Description</i>	<i>Part Number</i>
Panel Mount Gasket Kit	K8435666A
Coil (120VAC only)	KFC1516C

SPECIFICATIONS

Operating Temp.:	-65°F to 150°F	-54°C to 66°C
Net Weight:	1.4 lbs.	0.6 kg
Shipping Weight:	1.5 lbs.	0.7 kg
Height:	4.0"	102 mm
Width:	4.0"	102 mm
Depth:	2.5"	64 mm