

SelecTone® Command Unit

Model 300VSC-1



DESIGNED FOR SELECTONE® SYSTEMS

- Produces four prioritized tones and public address
- Remote microphone input
- Available in 24VDC or 120VAC
- Desktop design
- UL Listed, CSA Certified
- NEMA 1, IP40 enclosure

The Federal Signal Model 300VSC-1 SelecTone® Command Unit generates up to four tones or voice communications in a SelecTone System. Four tones, auxiliary, test and cancel are controlled via an illuminated keypad. Voice transmission is activated by keying the optional desktop or hand-held microphone.

The Model 300VSC-1 is UL (Underwriters Laboratories) Listed and CSA (Canadian Standards Association) Certified for use with 120VAC or 24VDC.

Select up to four plug-in tone modules, including the UTM Universal Tone Module and the TM33 Custom Tone Module.

Public address can be accessed from the local microphone or via the remote microphone input. Audio input allows background music to be played from any 1 volt-peak-to-peak source system. Public address has the highest priority followed by tones 1-4, remote microphone and auxiliary audio.

"Test" plays tones or voice messages through the monitor speaker only. "Cancel" interrupts any tone.

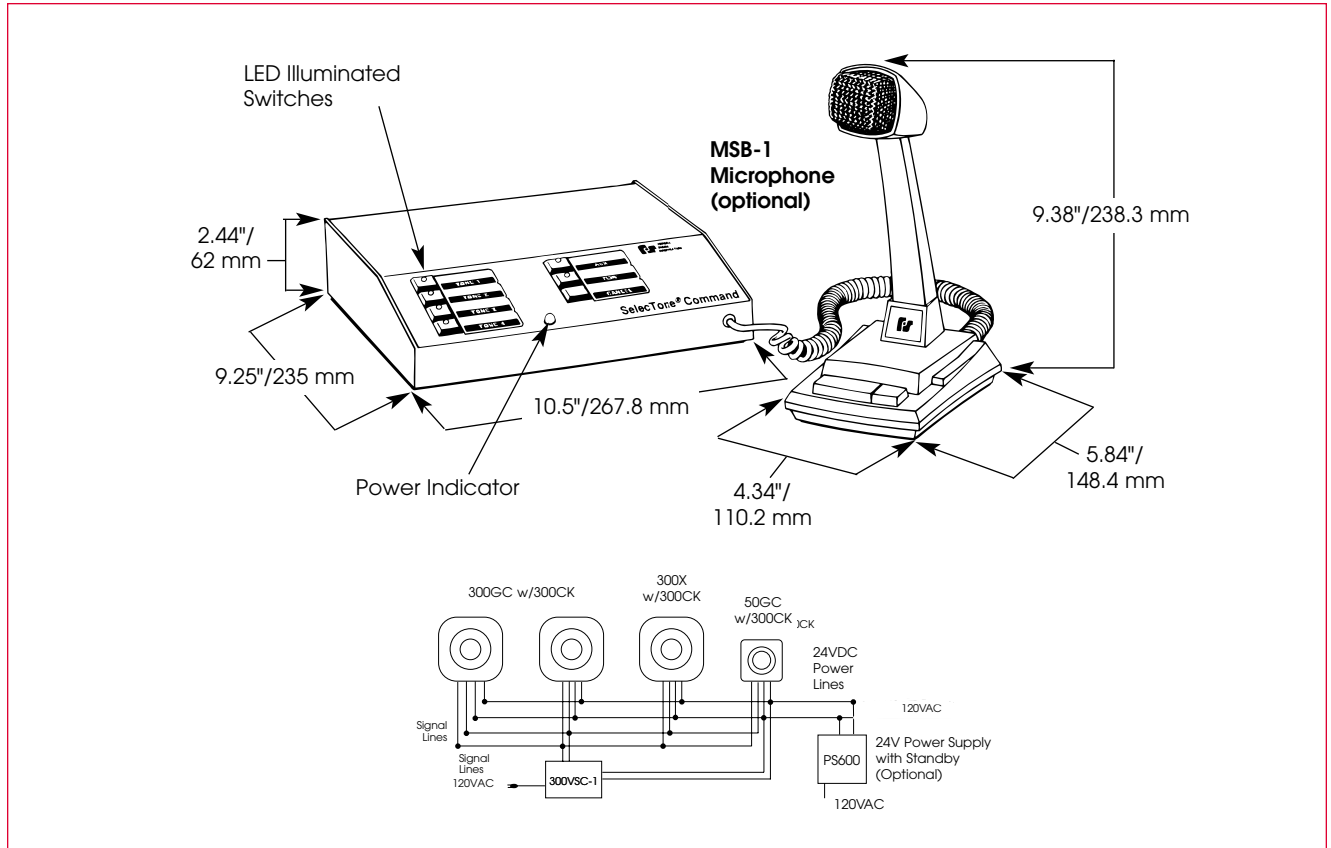
External switches can be wired into the command unit for automatic remote operation of the signal system.

The 300VSC-1 SelecTone Command Unit is the basis for a simple, versatile general signaling system for weather warning, start and dismissal, general alarm, evacuation and paging.

Model	Voltage	Operating Current	Sys. Standby Current
300VSC-1	24VDC	0.50 amps	0.08 amps
300VSC-1	120VAC	0.20 amps	0.03 amps



SELECTONE COMMAND UNIT (300VSC-1)



SPECIFICATIONS

Tone Output Levels	
Unbalanced Signal Line	10 Vrms (25 Ohm max.)
Balanced Signal Line	25Vrms (40 Ohm max./15 watt)
Signal to Noise Ratio	(<1.5% THD) Chip Input 67dB
Signal Frequency Response	250Hz to 4.5KHz (typical)
Net Weight:	3.1 lbs. 1.4 kg
Shipping Weight:	4.2 lbs. 1.9 kg
Height:	2.44" 62 mm
Width:	10.5" 266.7 mm
Depth:	9.25" 235 mm

HOW TO ORDER

- Specify model
- Specify up to four Tone Modules:
 Universal Tone Module (UTM)
 Custom Tone Module (TM33)
- Specify Connector Kits:
 Connector Kit (300CK)
 25Vrms Connector Kit (AM25CK)
- Specify options:
 Handheld Microphone (MNC-1)
 Desktop Microphone (MSB-1)

REPLACEMENT PARTS

<i>Description</i>	<i>Part Number</i>	<i>Description</i>	<i>Part Number</i>
PC Board Assemblies		Connectors, 17 Position	K140A332A-17
Mother Board	K2001154D	Connectors, 16 Position	K140A332A-16
Switch Board	K2001147A	Fuse F1, 250V, 1A	K148A155A-01
Tone Card Connector	K2001164A	Fuse F2, 250V, 1/2A	K148A155A