



SelectTone® Hazardous Location Audible Signaling Device

Model 302GCX

DESIGNED FOR USE IN HAZARDOUS LOCATIONS

- Reliable, solid-state circuitry
- Available in 24VAC/DC, 120VAC and 240VAC
- Built-in gain control
- Produces 90dB to 114dB @ 10' (100dB to 124dB @ 1m)
- UL Listed, CSA Certified for indoor/outdoor use, CSFM Approved
- NEMA 3R, IP54 enclosure
- External mounting tabs

Federal Signal's SelectTone® Model 302GCX is a cost effective source of high power audible signals for hazardous locations. The unit has a built-in volume control and a choice of many tones that can be heard clearly despite the ambient noises in a plant.

The unit can be used alone or as part of a SelectTone system activated by automatic detection devices or push-button command control.

Powerful and reliable, the Model 302GCX operates on 24VAC/DC, 120VAC or 240VAC. Its sturdy construction features a die-cast aluminum housing and a spun aluminum speaker projector.

A conformal coating protects the PC board and its components. Attractive, the SelectTone is sealed with gray enamel paint. The internal gain control allows tone output adjustment from 86dB to a maximum of 110dB @ 10' (96dB to 120dB @ 1m).

Model 302GCX can be used as a stand-alone, single-signal audible warning device or as part of a plant-wide communication and paging system. It is recommended for use in areas classified as Division 2 environments where flammable dusts, liquids, and gases are confined in closed containers, but present potential dangers in the form of accidental ruptures or spillages.

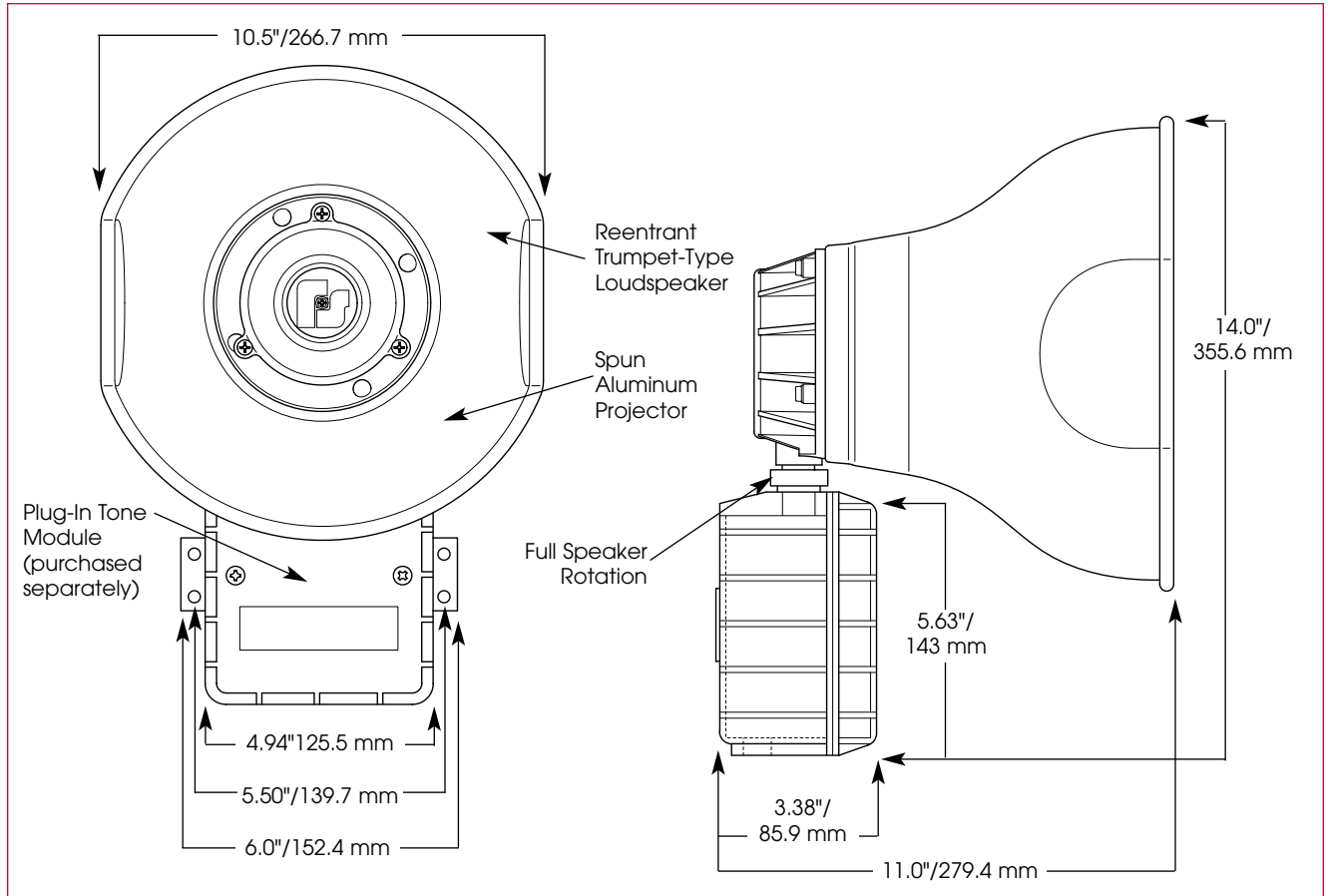
This device is UL (Underwriters Laboratories) Listed and CSA (Canadian Standards Association) Certified for Class I, Division 2, Groups A, B, C & D; and Class II, Division 2, Groups F & G; and Class III. It is also CSFM (California State Fire Marshal) approved.

Federal Signal's Model 302GCX is capable of high output in areas with high ambient noise levels.

Model	Voltage	Operating Current	Standby Current	Decibels @	
				10'	1m
302GCX	24VDC	1.10 amps	0.03 amps	114	124
302GCX	24VAC 50/60Hz	2.50 amps	0.19 amps	114	124
302GCX	120VAC 50/60Hz	0.50 amps	0.13 amps	114	124
302GCX	240VAC 50/60Hz	0.25 amps	0.06 amps	114	124



HAZARDOUS LOCATION AUDIBLE SIGNALING DEVICE (302GCX)



SPECIFICATIONS

Operating Temperature:	-31°F to 161°F	-35°C to 72°C
Net Weight:		
24V	6.3 lbs.	2.9 kg
120V/240V	7.6 lbs.	3.5 kg
Shipping Weight:		
24V	7.4 lbs.	3.4 kg
120V/240V	8.8 lbs.	4.0 kg
Height:	14.00"	356 mm
Width:	10.5"	266.7 mm
Depth:	11.0"	279 mm

HOW TO ORDER

- Specify model number and voltage
- Specify Tone Module for stand alone operation
 Universal Tone Module (UTM)
 Custom Tone Module (TM33)
- Specify Connector Kit for use in systems
 Connector Kit (300CK)
 Supervised Connector Kit (300CKS)
 25Vrms Connector Kit (AM25CK)
 70Vrms Connector Kit (AM70CK)
 100Vrms Connector Kit (AM100CK)

REPLACEMENT PARTS

<u>Description</u>	<u>Part Number</u>
Amplifier Assembly	K200B683A-02
Voice Coil	K288A146A
Speaker Assembly	K8593041A
Transformer, 120VAC	K120B224D
Transformer, 240VAC	K120B232C