

Explosion-Proof Resonating Horns

Models 55X and 56X



DESIGNED FOR USE IN EXPLOSION-PROOF ATMOSPHERES

- Corrosion-resistant cast aluminum housings
- Produces 105-107dB @ 10' (115-117dB @ 1m)
- NEMA 4X, IP66 enclosure
- UL Listed (55X)
- CSA Certified and FM Approved (55X and 56X)

These Federal Signal explosion-proof resonating horns are constructed for safe use in hazardous environments. They are enclosed in heavy-duty die cast aluminum housings which are tapped for 3/4" conduit.

Federal Signal Models 55X and 56X are resonating electric horns which produce sound by means of a diaphragm which resonates a column of air. The Model 55X is available in 120VAC, while Model 56X is available in 125VDC.

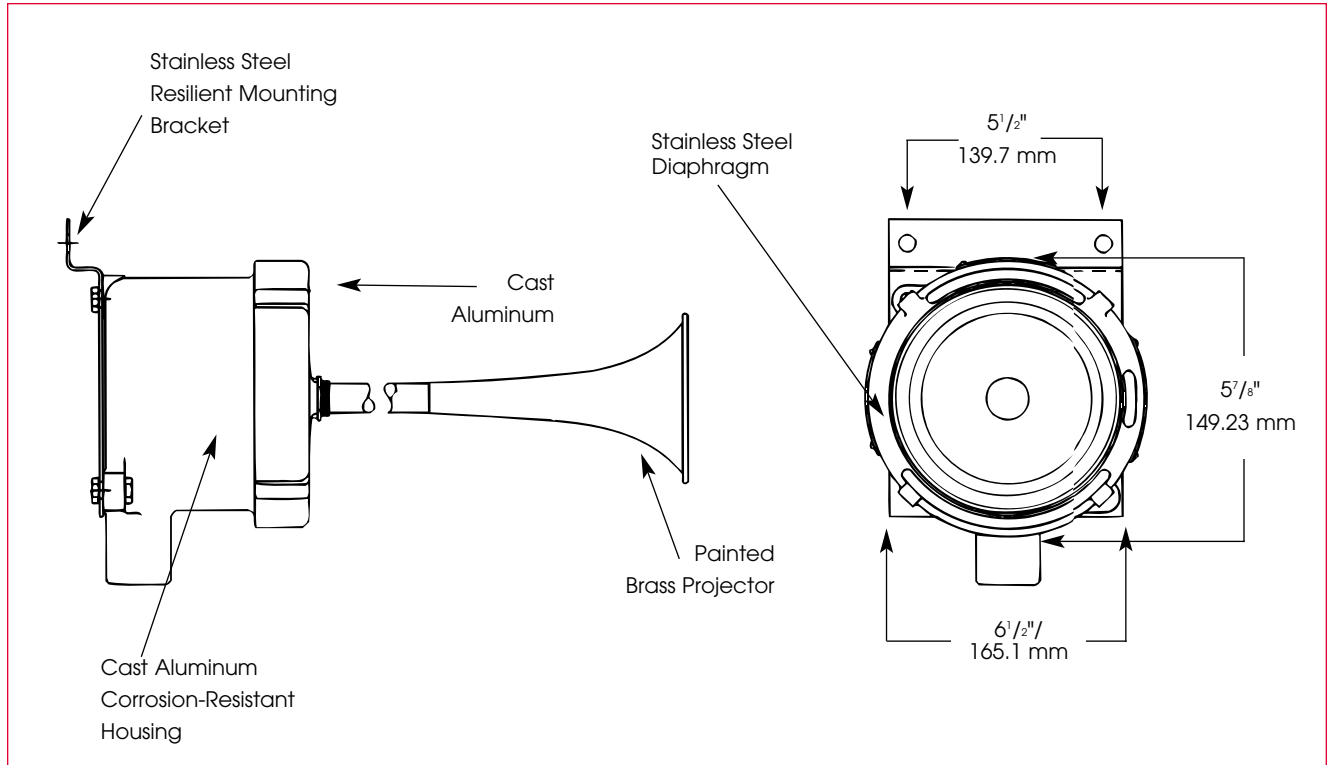
The 55X is UL Listed for Class I, Division 1, Groups C & D; Class I, Division 2, Groups C & D; Class II, Division 1, Groups E, F & G; and Class III. Both Model 55X and 56X are CSA (Canadian Standards Association) Certified and FM Approved.

These resonating explosion-proof horns are designed for locations where the danger of explosion or fire exists, such as refineries, laboratories or mines.

Model	Voltage	Operating Current	Decibels @	
			10'	1m
55X	120VAC 60Hz	0.65 amps	105	115
56X	125VDC	0.50 amps	107	117



EXPLOSION-PROOF HORNS (55X/56X)



SPECIFICATIONS

Operating Temperature:	-31°F to 150°F	-35°C to 66°C
Net Weight:		
55X	10.5 lbs.	4.8 kg
56X	10.5 lbs.	4.8 kg
Shipping Weight:		
55X	12.5 lbs.	5.7 kg
56X	15.5 lbs.	7.0 kg
Height:		
55X	5.88"	149.35 mm
56X	5.88"	149.35 mm
Width:		
55X	6.5"	165.1 mm
56X	6.5"	165.1 mm
Length:		
55X	20.75"	527.5 mm
56X	20.75"	527.5 mm

HOW TO ORDER

- Specify model

REPLACEMENT PARTS

<u>Description</u>	<u>Part Number</u>
Straight Projector, 55X and 56X	K8283C071-0G
Coil	KFC456