



SelectTone® Audible Signaling Device

Model 300, Series A1

DC STAND-ALONE TONE SIGNALING WITH DC OPERATING VOLTAGE

- Compatible with Federal Signal Tone Modules
- Available in 12VDC, 36VDC and 250VDC
- Produces 110dB @ 10' (120dB @ 1m)
- UL Listed, CSA Certified for indoor/outdoor use
- NEMA 3R, IP54 enclosure

The Federal Signal SelectTone® Model 300 is a lightweight and compact, solid-state audible signaling device designed to amplify a pre-selected tone over existing ambient noises. The speaker cone and projector are made of spun aluminum. The internal amplifier circuitry and tone module are contained in a housing of die-cast aluminum. Dust- and moisture-proof gasketing provides protection from the elements. All external components are sealed with gray enamel paint.

The Model 300 is designed for applications which have 12, 36, or 250VDC power supplies. The 250VDC version is UL (Underwriters Laboratories) Listed and CSA (Canadian Standards Association) Certified. All models are rated NEMA 3R for indoor/outdoor use.

The Model UTM (Universal Tone Module) is used with this device to generate one of 18 tones. The TM33 module can be used to generate custom tones, melodies, or voice messages.

The Model 300 is designed to be used as a stand-alone, full output unit and cannot be used with a SelectTone Command System (public address is not possible).

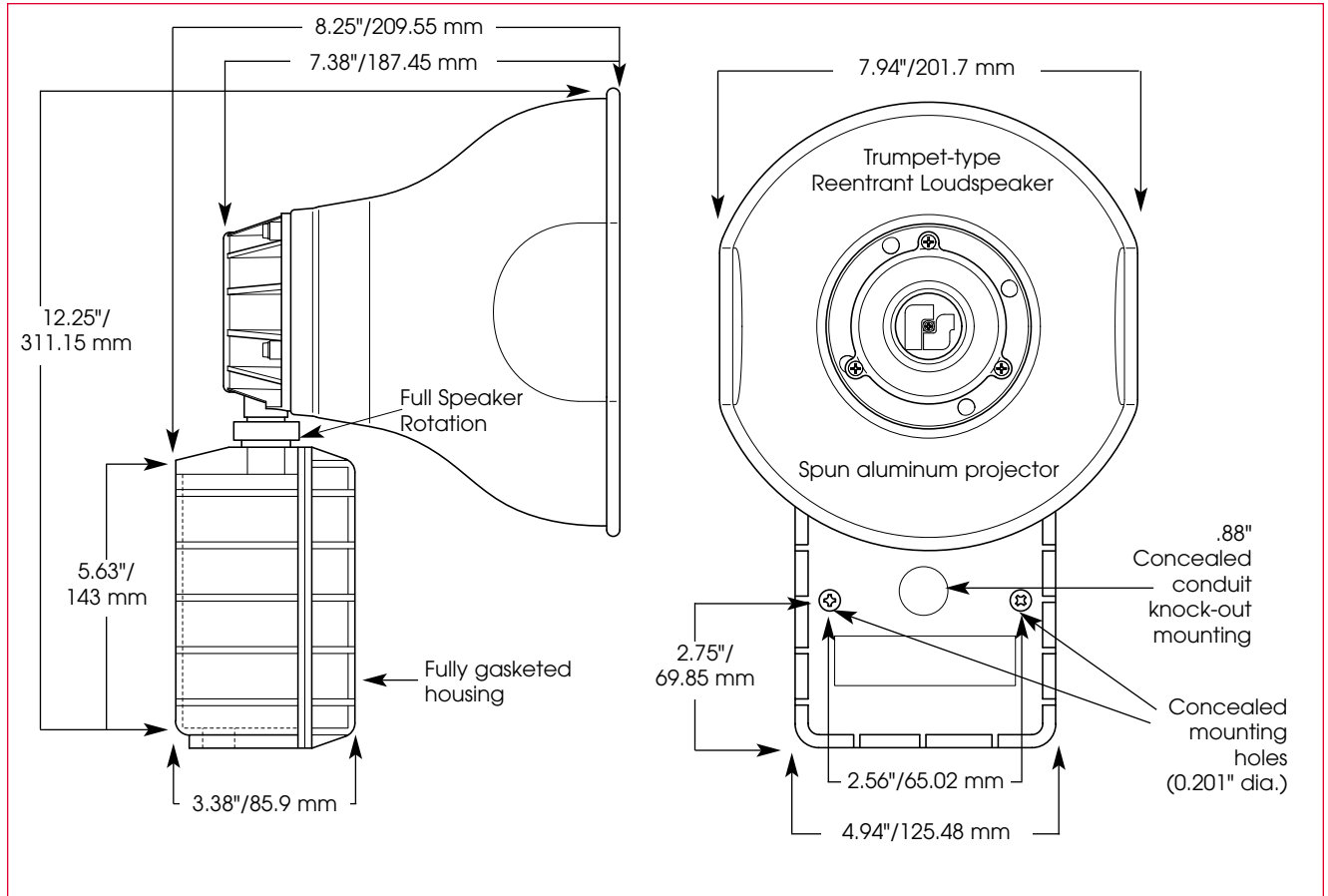
Internal ballast resistors are provided on 36VDC models. Maximum continuous output is up to 110dB @ 10 feet (120dB @ 1m).

Model 300 speaker/amplifiers are ideally suited for full output tone signaling where voice paging is not a requirement. Typical applications include emergency warning, start and dismissal, general alarm, smelters and cranes.

| Model | Voltage | Operating Current | Sys. Standby Current | Decibels @ | |
|-------|---------|-------------------|----------------------|------------|-----|
| | | | | 10' | 1m |
| 300 | 12VDC | 1.25 amps | N/A | 110 | 120 |
| 300 | 36VDC | 0.60 amps | N/A | 110 | 120 |
| 300 | 250VDC | 0.72 amps | N/A | 110 | 120 |



SELECTONE® AUDIBLE SIGNALING DEVICE (300)



SPECIFICATIONS

| | | |
|------------------------|----------------|---------------|
| Operating Temperature: | -31°F to 161°F | -35°C to 72°C |
| Net Weight: | 5 lbs. | 2.3 kg |
| Shipping Weight: | 6.1 lbs. | 2.8 kg |
| Height: | 12.25" | 311 mm |
| Width: | 7.94" | 201.7 mm |
| Depth: | 8.25" | 210 mm |

HOW TO ORDER

- Specify model number and voltage
- Specify Tone Module
Universal Tone Module (UTM)

REPLACEMENT PARTS

| <i>Description</i> | <i>Part Number</i> |
|---------------------------|---------------------------|
| Amplifier, 12VDC | K200B467 |
| Amplifier, 36VDC | K200B533 |
| Amplifier, 250VDC | K2001903A |
| Voice Coil | K110A703 |
| Speaker Assembly | K8593040A |