



# SelecTone® Audible Signaling Device

## Model 302GC

### EXTRA OUTPUT POWER FOR PLANT EVACUATION

- Available in 24VAC/DC, 120VAC and 240VAC
- Built-in gain control
- Produces 90dB to 114dB @ 10' (100dB to 124dB @ 1m)
- UL Listed, CSA Certified for indoor/outdoor use, CSFM Approved (California State Fire Marshal)
- NEMA 3R, IP54 enclosure

The Federal Signal SelecTone® Model 302GC is a lightweight, compact solid state device designed to produce unmistakable warning signal or voice communication in the noisiest manufacturing areas.

The speaker cone and projector are made of spun aluminum. Internal amplification circuitry, tone module and gain control are contained in a die-cast aluminum housing. Dust and moisture-proof gaskets provide protection from the elements. All external components are sealed with gray enamel paint.

The Model 302GC is UL (Underwriters Laboratories) Listed, CSA Certified and NEMA 3R rated for indoor/outdoor use. Multiple tone and voice capabilities can be added with system interface connector kits and a SelecTone Command Unit, including models 300MB, 300MC, 300VSC-1, 300VSC-1044SB 300SCW-1 and 300SSC. Each of these command units allow tones and public address to be selected and amplified by each 302GC. Internal gain control allows output adjustment from 90dB to a maximum of 114dB @ 10 feet (100dB -124dB @ 1m).

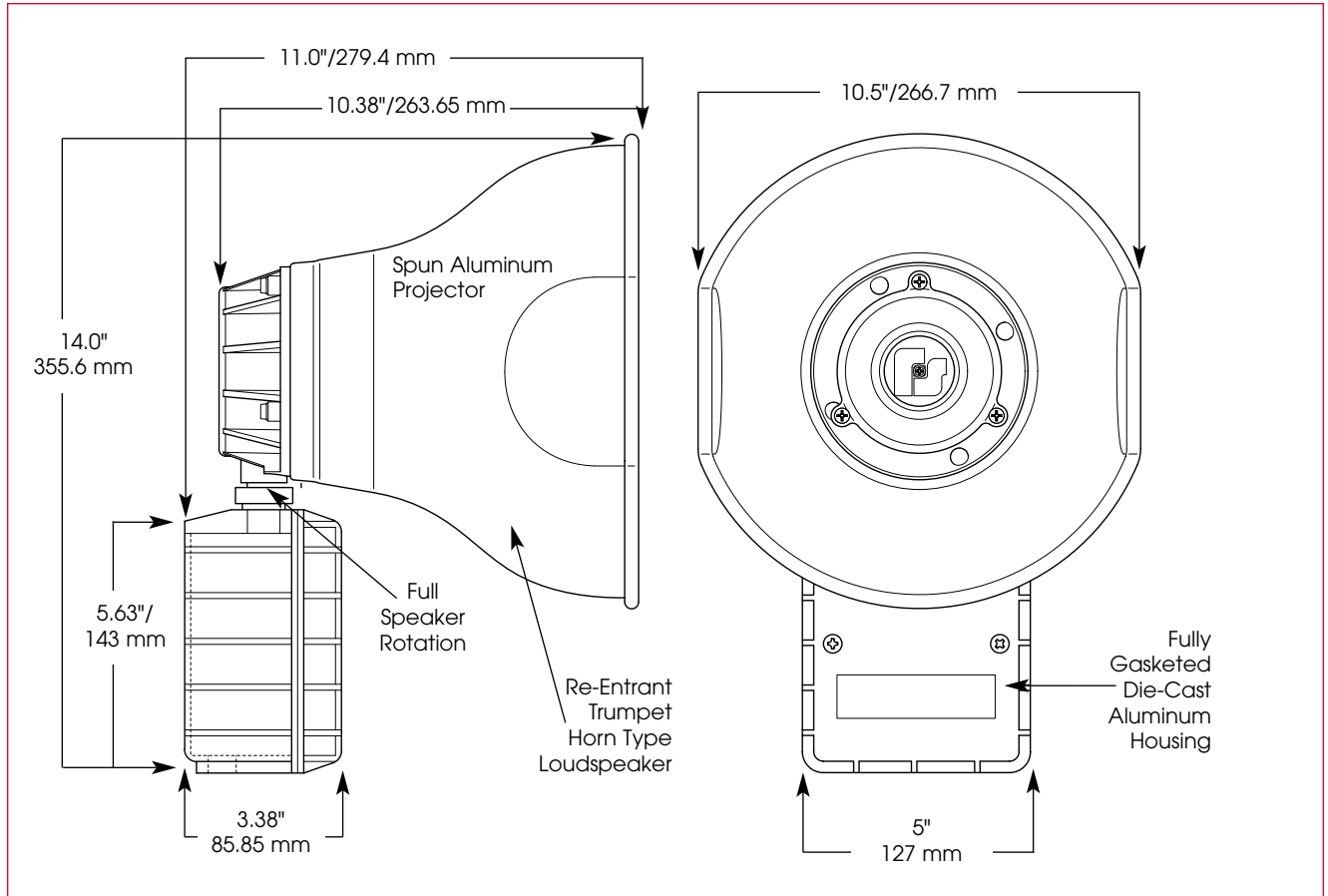
Model 302GC audible signals can be used individually or as part of a plant wide warning and communications system where very high ambient noise levels exist. Distinctly different tones can be used to signal specific types of warning while the added voice capability allows for general paging or to communicate specific instructions in an emergency.

Typical applications include emergency warning, start and dismissal, fire and general alarm, evacuation and paging.

Model	Voltage	Operating Current	Sys. Standby Current	Decibels @ 10'	1m
302GC	24VDC	1.10 amps	0.03 amps	114	124
302GC	24VAC 50/60Hz	2.50 amps	0.09 amps	114	124
302GC	120VAC 50/60Hz	0.50 amps	0.13 amps	114	124
302GC	240VAC 50/60Hz	0.20 amps	0.07 amps	114	124



**SELECTONE® AUDIBLE SIGNALING DEVICE (302GC)**



**SPECIFICATIONS**

Operating Temperature:	-31°F to 161°F	-35°C to 72°C
Net Weight:		
DC	5.9 lbs.	2.7 kg
AC	7.2 lbs.	3.3 kg
Shipping Weight:		
DC	7.3 lbs.	3.3 kg
AC	8.5 lbs.	3.9 kg
Height:	14.0"	356 mm
Width:	10.5"	266.7 mm
Depth:	11.0"	279 mm

**HOW TO ORDER**

- Specify model number and voltage
- Specify Tone Module for stand alone operation
  - Universal Tone Module (UTM)
  - Custom Tone Module (TM33)
- Specify Connector Kit for use in systems
  - Connector Kit (300CK)
  - Supervised Connector Kit (300CKS)
  - 25Vrms Connector Kit (AM25CK)
  - 70Vrms Connector Kit (AM70CK)
  - 100Vrms Connector Kit (AM100CK)

**REPLACEMENT PARTS**

<u>Description</u>	<u>Part Number</u>
Amplifier Assembly	K200B683A
Voice Coil	K288A146A
Speaker Assembly	K8593041A
Transformer, 120VAC	K120B224D
Transformer, 240VAC	K120B232C