



## AST - 14 PENDANT MOUNT HAZARDOUS AREA STROBE WARNING LIGHT

### COMPLIANCES:

Class I - Div. 2, Groups A,B,C,D  
Class II - Groups E,F,G  
Class III - Enclosure 3  
CSA# - LR56828-2



**LISTED** Visual Signal Appliance for Hazardous Locations  
Fire Alarms

### APPLICATIONS:

- to visually indicate warnings or hazards in high noise level areas where audible signals may not be heard
- to indicate the starting and stopping of operations in a manufacturing environment
- to indicate faulty equipment

### FEATURES:

- solid state power supply
- low power consumption (12 watts)
- intensity 2,000,000 candlepower (peak)
- Polycarbonate fresnel lens
- cast zinc alloy housing with a grey epoxy finish for superior corrosion resistance
- may be operated in any position
- designed for intermittent visual signalling as well as longer duration signalling applications
- lens sealed in guard
- flash rate - 60 flashes/minute
- flash tube life - minimum 10 million flashes at 60 flashes/minute
- 3/4" conduit entry
- weatherproof



Made in Canada



**Applied Strobe Technology Company Limited**  
INDUSTRIAL STROBE WARNING LIGHTS

8345 Stanley Avenue, Niagara Falls, Ontario, Canada L2E 6X8 905-374-3077, Fax 905-374-6114  
U.S. Address: 2315 Whirlpool St., Suite #182, Niagara Falls, NY 14305  
[ast@vaxxine.com](mailto:ast@vaxxine.com)

Temperature Data:

Operating:

-40 C to +85 C

Temperature code for Class1 Div2 - T3C

Electrical Ratings

-120 VAC 50/60Hz, .1 amps (avg.)

-240 VAC 50/60Hz, .05 amps (avg.)

-10 to 30 VDC .8 amps to .4 amps (avg.)

-250 VDC .04 amps (avg.)

Other available voltages

-90 to 130 VDC .125 amps to .075 amps (avg.)

## Ordering Information

Lens Colors

Am - Amber

Bl - Blue

Gr - Green

Re - Red

Cl - Clear

Model No. Voltage

AST-14-120 120 VAC

AST-14-220 220 VAC

AST-14-1030 10 to 30 VDC

AST-14-250 250 VDC

Ordering Example

AST-14-1030-RE

## Replacement Parts

Circuit Board

AST-14-120 120 VAC Circuit Board

AST-14-220 220 VAC Circuit Board

AST-14-1030 10 to 30 Circuit Board

AST-14-1030 250 VDC Circuit Board

Flash Tube

AST-FT 3050 Flash Tube

Lenses

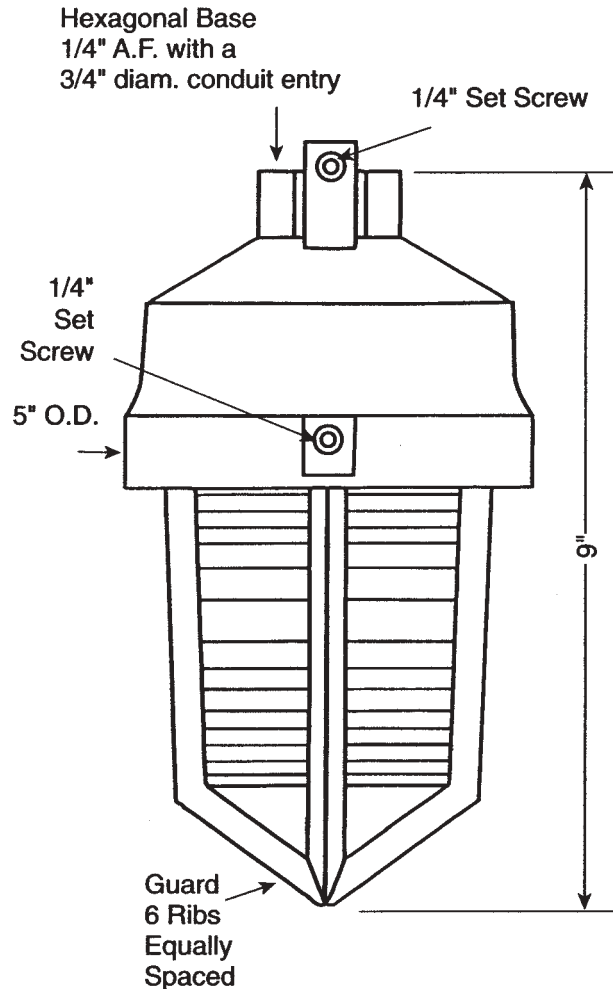
AST-3-RE Red Lens

AST-3-AM Amber Lens

AST-3-BI Blue Lens

AST-3-GR Green Lens

AST-3-CL Clear Lens



**PENDANT MOUNT HAZARDOUS AREA STROBE**